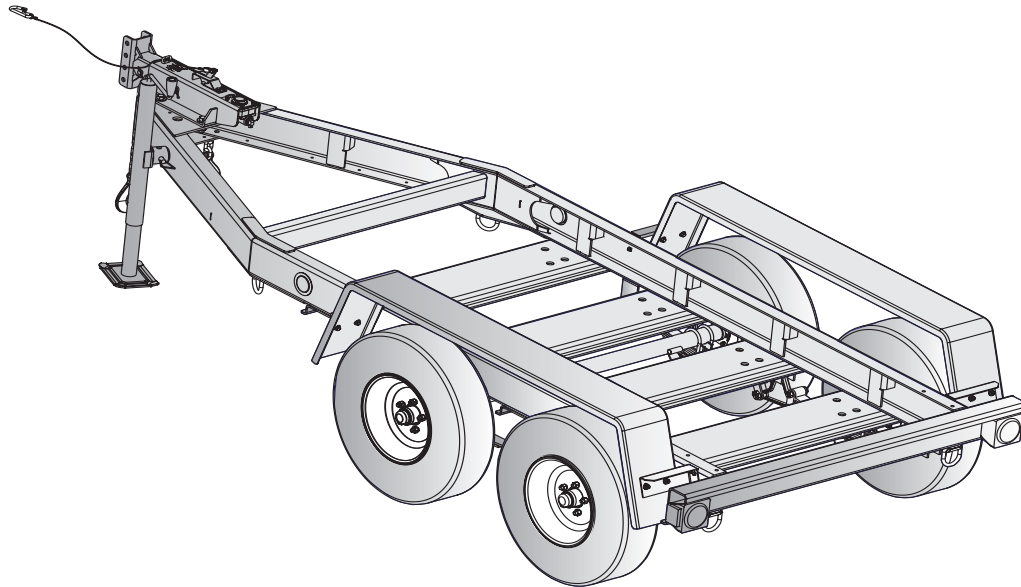




TRLR45

MQ POWER Tandem Axle Trailer



TRLR45 Technical Data

Gross Vehicle Weight Rating (GVWR) — 7,000 lbs (2,613 kg)	Tire Size — ST205/75D14 LR-C
Gross Axle Weight Rating (GAWR) — 3,500 lbs. (1,588 kg)	Wheel Bolt Pattern — 5 Lug
Coupler Rating — See coupler options on back page.	Tire Load Rating — 1,760 lbs/657 kg (ea.)

STANDARD TRAILER EQUIPMENT

- Fits MQ Power Generator Model DCA36SPXU4F, DCA40SSKU4F, DCA45SSIU4F, DCA45USI3CAN
- Tandem-Axle Design with Leaf Spring Suspension
- H.D. Welded Steel Frame Construction
- Form Channel for Generator Mounting and Support
- Replaceable, Bolt-on Hydraulic Brake Actuator
- Surge Hydraulic-actuated Drum Brakes (all axles)
- Hydraulic Uni-Servo Drum Brakes with Free-backing Plates - 10-inch Cluster
- D.O.T. Steel Brake Lines, Brass Tees and Rubber Hydraulic Brake Hoses
- 4-Hole Channel Allows 3-position, Adjustable Coupler Height; 4-inches O/A
- Tongue Mounted Swivel Jack with Flat Disc-foot (rated 3,000 pound lift)
- Replaceable, Bolt-on Steel Fenders
- Powder Coat Paint Process including: Frame, Channel, Actuator and Fenders
- D.O.T. Approved Tail Lamps, Stop Lamps, Turn Signal Lamps, Side Marker Lamps
- Weatherproof, Rubber Armored, 2-piece Trailer Light Wiring Harness



TRLR45

MQ POWER Tandem Axle Trailer

OPTIONAL TRAILER EQUIPMENT

- Bolt-on Electric Brake Coupler and Channel Plate with Electric-actuated Drum Brakes (all axles)
- Electric Breakaway Safety Device (electric-actuated brakes)
- Adjustable 2-inch Ball Coupler
- Adjustable 2 5/16-inch Ball Coupler
- Adjustable 3-inch Pintle-eye Coupler
- Rear Stabilizer Stands
- Tongue Mounted Utility Storage Box
- Spare Tire with Locking Mount
- Anti-Theft Wheel Lock

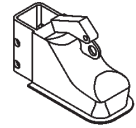
Coupler Options

3" Pintle Eye
20,000 lbs.



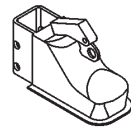
#EE36264

2" Ball Coupler
10,000 lbs.

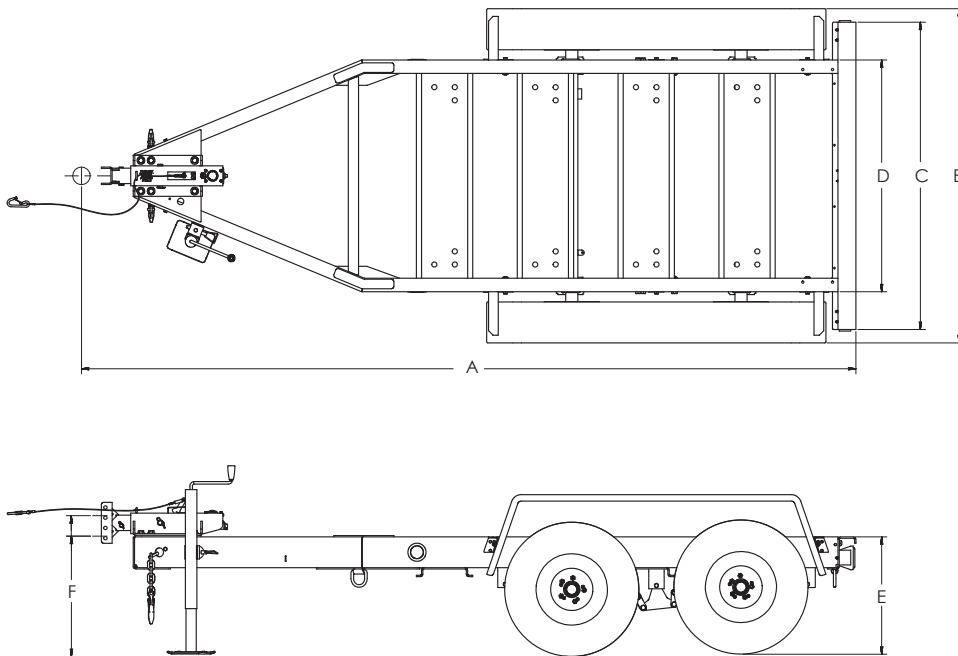


#EE43254

2-5/16" Ball Coupler
14,000 lbs.



#EE43253



Trailer Dimensions

A	B	C	D	E	F	
					MIN	MAX
148 in (3,759 mm)	65.25 in (1,657 mm)	60 in (1,524 mm)	45.25 in (1,149 mm)	23 in (584)	23 in (584 mm)	27 in (686 mm)

Trailer Weight

1056 lbs. (479 kg)*

*Weight is approximate



Manufactured by Denyo Co.

© COPYRIGHT 2015 MULTIQUIP INC.
TRLR45 Rev. #3 (10/01/15)



1741 East Colon Street, (zip 90744)
PO Box 1212
Wilmington, CA 90748-1212
Phone: 310 835-3161 • Fax: 310 518-3019
sales@assocpower.com • www.assocpower.com