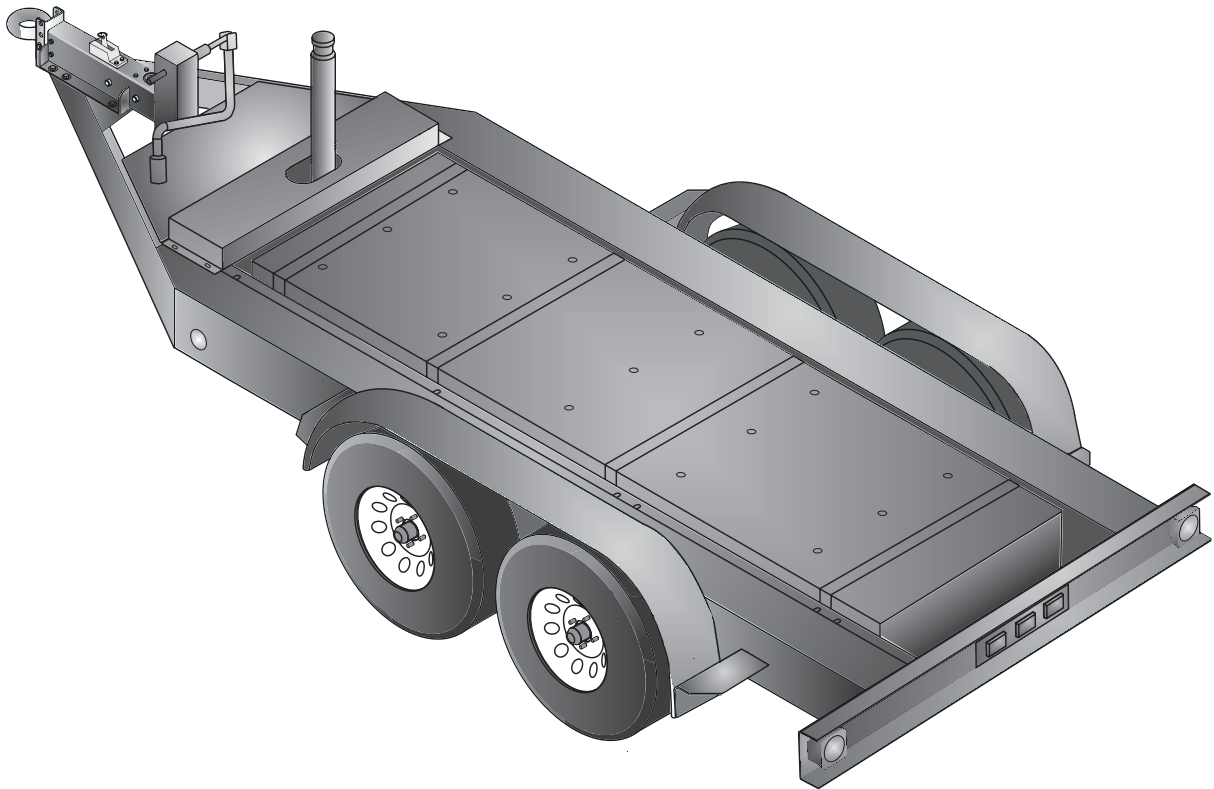




TRLR400XF2E

MQ POWER Tandem Axle Trailer



TRLR400XF2E Technical Data

Gross Vehicle Weight Rating (GVWR) — 20,000 lbs (9,072 kg)	Tire Size — 235/75R17.5 H
Gross Axle Weight Rating (GAWR) — 10,000 lbs (4,536 kg) (ea.)	Wheel Bolt Pattern — 8 x 6.5
Electric Brake Adaptor Rating — 20,000 lbs (9,072 kg)	Tire Load Rating — 6,005 lbs (2,724 kg) ea.
Coupler Rating — 25,000 lbs (11,340 kg)	Dimensions — See reverse page

STANDARD TRAILER EQUIPMENT

- Fits MQ Power Generator Model DCA400SSI4F
- Straight Tandem-Axle Design with Leaf Spring Suspension
- H.D. Welded Steel Frame Construction
- Structural Channel for Generator Mounting and Support
- Integral Fuel Cell; Single-Wall Steel Design, 350-gallon/1,325-liter Capacity
- Bolt-on Electric Brake Adaptor Plate with Electric-actuated Drum Brakes (all axles)
- 4-hole Channel Allows 4-position, Adjustable Coupler Height; 4-inches O/A
- 3-inch Pintle-eye Coupler, rated 25,000 lbs.
- Heavy-duty Tongue Mounted, Drop-leg Jack (rated 10,000 pound lift)
- Replaceable Bolt-on Steel Fenders
- High-gloss Enamel Coated Frame, Channel, Adaptor and Fenders
- D.O.T. Approved Tail Lamps, Stop Lamps, Turn Signal Lamps, Side Marker Lamps
- Weatherproof, Rubber Armored, 3-piece Trailer Light Wiring Harness
- Built for Multiquip Inc. by Marksman Mfg. (Santa Fe Springs, CA)

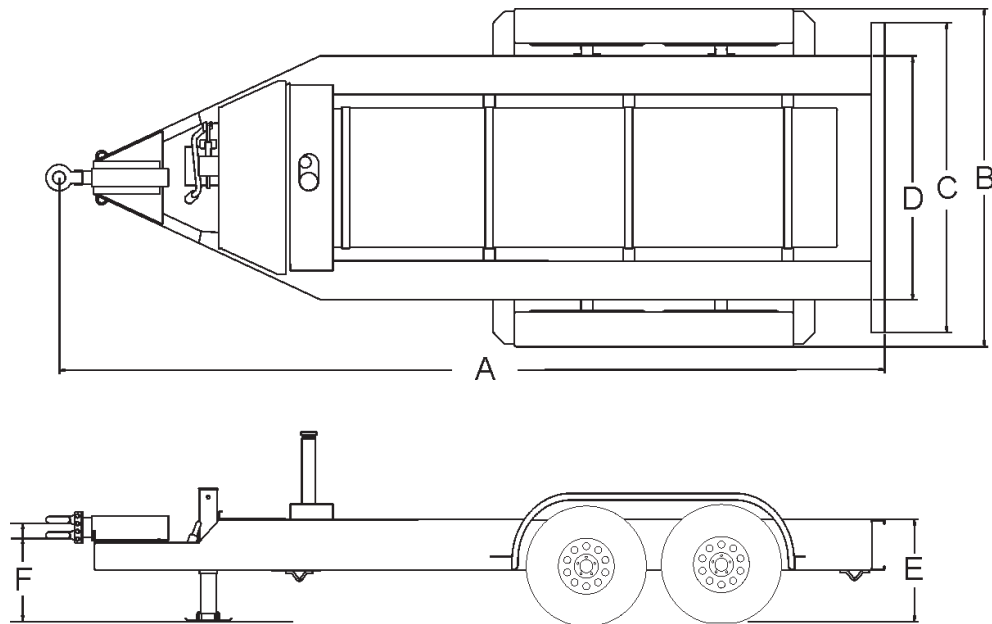


TRLR400XF2E

MQ POWER Tandem Axle Trailer

OPTIONAL TRAILER EQUIPMENT

- Anti-Theft Wheel Lock
- Tongue Mounted Utility Storage Box
- Rear Stabilizer Stands
- Spare Tire with Locking Mount
- Slide Out Rear Step
- 7-Hole Adjustable Coupler Channel (Allows 6 inches O/A)



Trailer Dimensions

A	B	C	D	E	F	
					Min	Max
268 in. (6,807 mm)	95 in. (2,413 mm)	84 in. (2,134 mm)	66 in. (1,676 mm)	32 in. (813 mm)	22 in. (559 mm)	32 in. (813 mm)

Trailer Weight

Without Fuel	With Fuel
3,978 lbs. (1,805 kg)*	6,463 lbs (2,934 kg)*

*Weight is approximate



© COPYRIGHT 2016 MULTIQUIP INC.
TRLR400XF2E Rev. #0 (06/15/16)



1741 East Colon Street, (zip 90744)
PO Box 1212
Wilmington, CA 90748-1212
Phone: 310 835-3161 • Fax: 310 518-3019
sales@assocpower.com • www.assocpower.com