



DCA800SSK

MQ POWER Whisperwatt™ Series

WhisperWatt™ 800

Prime Rating — 640 kW (800 kVA)

Standby Rating — 704 kW (880 kVA)

60 Hertz



STANDARD FEATURES

- Heavy duty, turbocharged, aftercooled, direct injection diesel engine provides maximum reliability.
- Brushless alternator reduces service and maintenance requirements and meets temperature rise standards for Class F insulation systems.
 - Open delta alternator design provides virtually unlimited excitation for maximum motor starting capability.
 - Automatic voltage regulator (AVR) provides precise regulation.
- Electronic governor system maintains frequency to $\pm 0.25\%$.
- Full load acceptance of standby nameplate rating in one step (NFPA 110, para 5-13.2.6).
- Sound attenuated, weather resistant, steel housing provides operation at 73 dB(A) at 23 feet. Fully lockable enclosure allows safe unattended operation.
- Internal fuel tank with direct reading fuel gauges are standard.
- E-coat primer with polyurethane enamel finish coat.
- Simultaneous single and three phase power.
- Low coolant level shutdown system provides protection from critically low coolant levels. Includes control panel warning light.
- Complete engine analog instrumentation includes DC ammeter, oil pressure gauge, water temp. gauge, tachometer/hour meter, preheat indicator, manual engine speed control, emergency shutdown monitors, and emergency stop button.
- Complete generator analog instrumentation includes voltage regulator control, ammeter phase selector switch, voltmeter phase selector switch, AC voltmeter, AC ammeter, frequency meter, panel light, and circuit breaker.
- Automatic safety shutdown system monitors the water temperature, engine oil pressure, low coolant, overspeed, and overcrank. Warning lights indicate abnormal conditions.
- Auto start/stop control allows generator to start automatically in the event of a commercial power failure.
- Complete power panel. Fully covered; three-phase terminals and single phase receptacles allow fast and convenient hookup for most applications including temporary power boxes, tools and lighting equipment. All are NEMA standard.
- Emergency Stop Switch.
- Battery Switch.
- Voltage change-over board. Allows easy to change voltages as your applications require. 240/480 bus bar.
- EPA emissions certified - Tier 2 Final emissions compliant.



DCA800SSK

MQ POWER Whisperwatt™ Series

SPECIFICATIONS

Generator Specifications	
Design	Revolving field, Self-ventilated Drip-proof, Single bearing
No. of Poles	4-pole
Excitation	Brushless with AVR
Standby Output	704 KW (880 kVA)
Prime Output	640 KW (800 kVA)
Generator RPM	1800
Voltage — 3Ø	208, 220, 240, 416, 440, 480V Reconnectable
Voltage — 1Ø	120, 127, 139, 240, 254, 277V Adjustable
Armature Connection	Star with neutral
Voltage Regulation (No load to full load)	±0.5%
Power Factor	0.8
Frequency	60 Hz
Frequency Regulation: No Load to Full Load	Isochronous under varying loads from no load to 100% rated load
Frequency Regulation: Steady State	±0.25% of mean value for constant loads from no load to full load.
Insulation	Class F
Sound Level dB(A) Full load at 23 feet	74

Engine Specifications	
Make / Model	Komatsu / SAA6D170E-3
Emissions	EPA Tier 2 Certified
Starting System	Electric
Design	4-cycle, water cooled, direct injection, turbocharged, air to air intercooled
Displacement	23150 cc
No. cylinders	6
Bore x Stroke	170 x 170 mm
Gross Engine Power Output	1220 hp (909.7 kWm)
BMEP	361 psi (2487 kPa)
Piston Speed	2008 ft/min (10.2 m/s)
Compression Ratio	16.1 : 1
Engine Speed	1800 rpm
Overspeed Limit	2100 rpm
Oil Capacity	37.2 gallons (141.0 liters)
Battery	12V 200Ah x 4 (24 V Systems)

Fuel System		
Maximum Fuel Flow (per hour)	196 gallons (740 liters)	
Maximum Inlet Restriction (Hg)	4 in (101.6 mm)	
Fuel Tank Capacity	129.5 gallons (490 liters)	
Fuel Consumption	gph	lph
At full load	41.3	156.5
At 3/4 load	30.8	116.4
At 1/2 load	22.6	85.9
At 1/4 load	14.5	54.9

Cooling System	
Fan Load	49.3 hp (36.8 kW)
Coolant Capacity (with radiator)	40.4 gallons (153 liters)
Coolant Flow Rate (per minute)	180 gallons (680 liters)
Heat Rejection to Coolant (per minute)	15,277 Btu (16.1 MJ)
Heat Radiated to Engine (per minute)	6700 Btu (6.4 MJ)
Maximum Coolant Friction Head	18.6 psi (265 kPa)
Maximum Coolant Static Head	886 feet (27 meters)
Ambient Temperature Rating	104°F (40°C)

Air	
Combustion Air	2350 cfm (66 m³/min)
Maximum Air Cleaner Restriction	30.1 in. H ₂ O (7.5 kPa)
Alternator Cooling Air	3023 cfm (86 m³/min)
Radiator Cooling Air	19423 cfm (505 m³/min)

Exhaust System	
Gas Flow (full load)	2435 cfm (69 m³/min)
Gas Temperature	842°F (450°C)
Maximum Back Pressure	56 in. H ₂ O (14 kPa)

Amperage	
Rated Voltage	Maximum Amps
1Ø 120 Volt	1777.8 Amps (4 wire)
1Ø 240 Volt	888.9 Amps (4 wire)
3Ø 240 Volt	1924.6 Amps
3Ø 480 Volt	962.3 Amps
Main Line Circuit Breaker Rating	2500 Amps
Over Current Relay Trip Set Point	960 Amps

WARRANTY*

Komatsu Engine

12 months from date of purchase or 1000 hours (whichever occurs first).

Generator

24 months from date of purchase or 2000 hours (whichever occurs first).

Trailer

12 months excluding normal wear items.

*Refer to the express written, one-year limited warranty sheet for additional information.

NOTICE

Generator is not intended for use in enclosed areas or where free flow of air is restricted.

Backfeed to a utility system can cause electrocution and/or property damage. Do not connect to any building's electrical system except through an approved device.

Specifications are subject to change without notice.



DCA800SSK

MQ POWER Whisperwatt™ Series

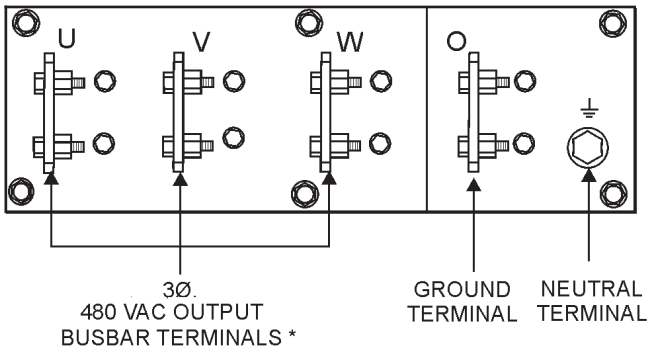
MQ POWER DECIBEL LEVELS

Our soundproof housing allows substantially lower operating noise levels than competitive designs. WhisperWatts are at home on construction sites, in residential neighborhoods, and at hospitals — just about anywhere.

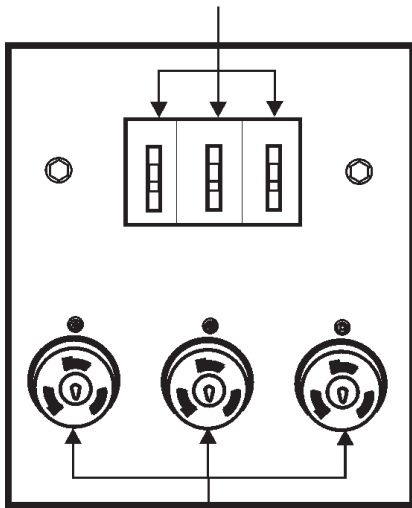
- 90 — Subway / truck traffic
- 80 — Average city traffic
- 73.0 — WhisperWatt at 23 feet
- 70 — Inside car at 60 mph
- 60 — Air conditioner at 20 feet
- 50 — Normal conversation



GENERATOR OUTPUT PANELS



CIRCUIT BREAKERS FOR CS-6369 TWIST LOCK RECEPTACLES



CS-6369 TWIST-LOCK RECEPTACLES (3)
240/139V, 50 AMPS

OPTIONAL GENERATOR FEATURES

- **Battery charger** — provides fully automatic and self-adjusting charging to the generator's battery system.
- **Jacket water heater** — for easy starting in cold weather climates.
- **Fuel/water separators** — remove condensation from fuel for extended engine life.
- **Special batteries** — long life batteries provide extra engine cranking power.
- **Spring Isolators** — provides extra vibration protection for standby applications.
- **Trailer mounted package** — highway legal trailer with electronic or surge brakes with double or triple axle configuration. Extra capacity fuel tanks are also available.

OPTIONAL CONTROL FEATURES

- **Audible alarm** — alerts operator of abnormal conditions.

OPTIONAL FUEL CELL FEATURES

- **Trailer Fuel Tank** — a second fuel cell located in the trailer allows for extended run time.
- **Subbase fuel cells (double wall)** — additional fuel cell for extended runtime operation. Contains a leak sensor, low fuel level switch, and a secondary containment tank. UL142 listed.
- 12 hours of minimum run time.
- 24 hours of minimum run time.

OPTIONAL OUTPUT CONNECTIONS

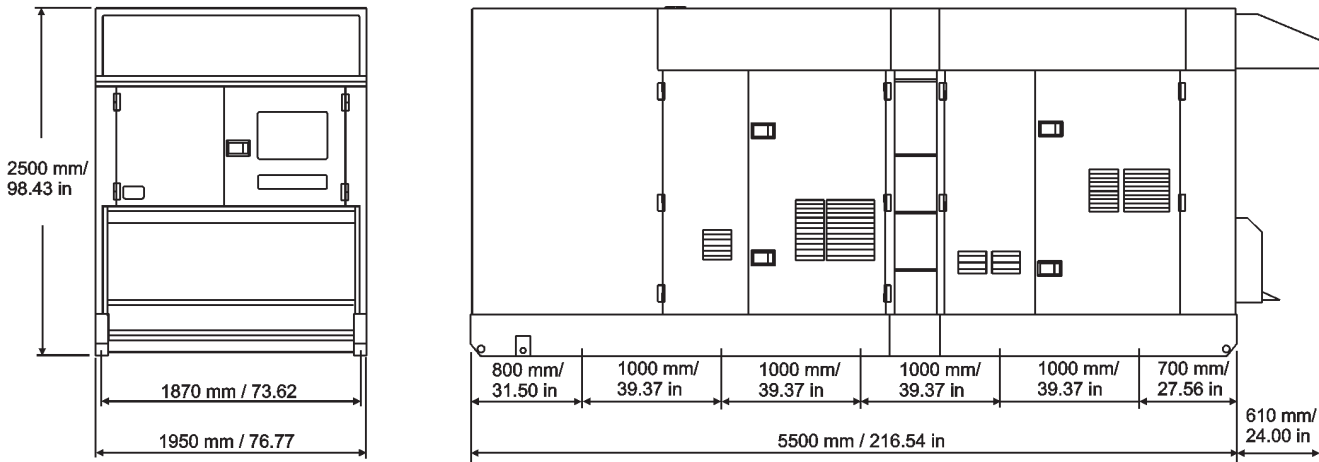
- **Pin and Sleeve connectors** — provides industry standard connectors for all voltage requirements.
- **Output cable** — available in any custom length and size configuration.



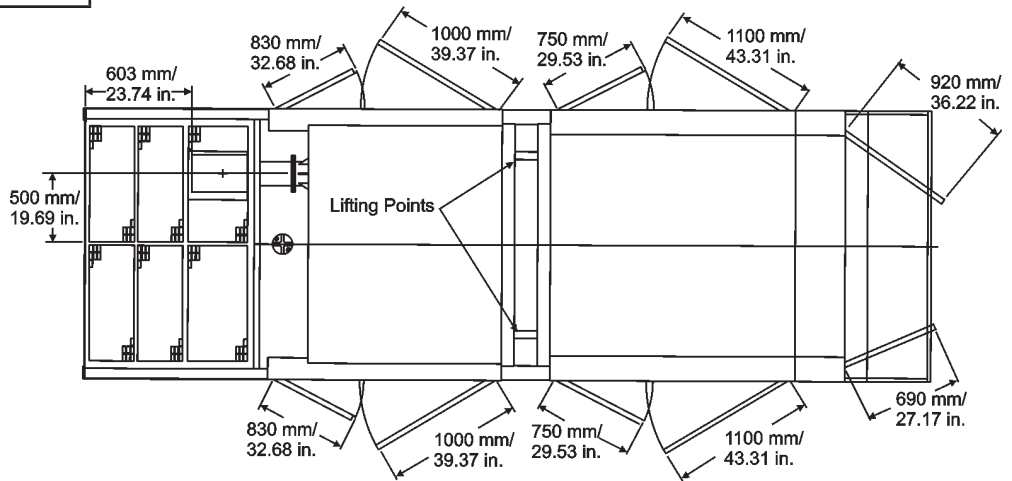
DCA800SSK

MQ POWER Whisperwatt™ Series

DIMENSIONS



Weight	
Dry Weight	23,634 lbs. (10,720 kg)
Wet Weight	25,308 lbs. (11,479 kg)
Max. Lifting Point Capacity	30,000 lbs. (13,610 kg)



Manufactured by Denyo Co.

© COPYRIGHT 2010 MULTIQUIP INC.
DCA600SSK Rev. #8 (04/10)



1741 East Colon Street, (zip 90744)
PO Box 1212
Wilmington, CA 90748-1212
Phone: 310 835-3161 • Fax: 310 518-3019
sales@assocpower.com • www.assocpower.com