



DCA125SSIU

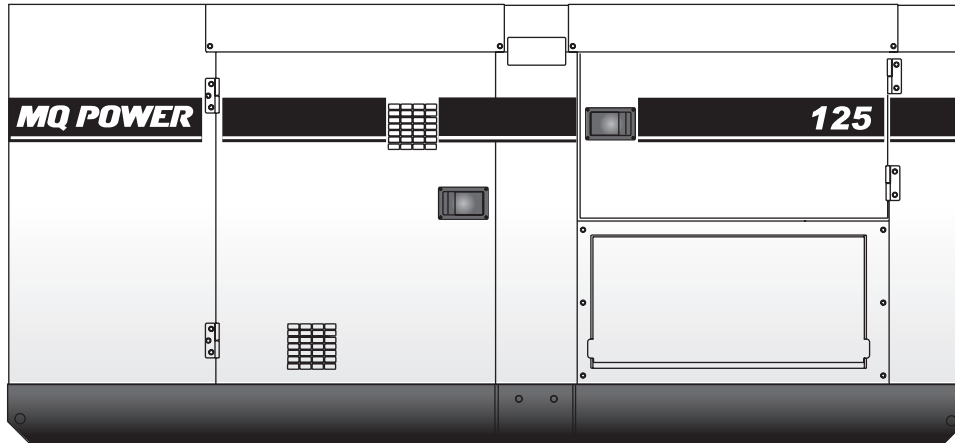
MQ POWER Series Generator

WhisperWatt™ 125

Prime Rating — 100 kW (125 kVA)

Standby Rating — 110 kW (137 kVA)

60 Hertz



STANDARD FEATURES

- Heavy duty, 4-cycle, direct injection, turbocharged air to air intercooled diesel engine provides maximum reliability.
- Brushless alternator reduces service and maintenance requirements and meets temperature rise standards for Class F insulation systems.
- Open delta excitation design provides virtually unlimited excitation for maximum motor starting capability.
- Automatic voltage regulator (AVR) provides precise regulation.
- Electronic Governor Control — maintains frequency to within $\pm 0.25\%$ from no load to full load.
- Full load acceptance of standby nameplate rating in one step (NFPA 110, para 5-13.2.6).
- Sound attenuated, weather resistant, steel housing provides operation at 68 dB(A) at 23 feet. Fully lockable enclosure allows safe unattended operation.
- Internal fuel tank with direct reading of fuel gauge.
- Seven stage powder coat paint system provides durability and weather protection.
- Fuel/water separator removes condensation from fuel for extended engine life. Panel mounted alarm light included.
- Complete engine analog instrumentation includes DC ammeter, oil pressure gauge, water temp. gauge, fuel level gauge, tachometer/hour meter, preheat indicator, and emergency shutdown monitors.
- Complete generator analog instrumentation includes voltage regulator control, ammeter phase selector switch, voltmeter phase selector switch, AC voltmeter, AC ammeter, frequency meter, panel light, and circuit breaker.
- Automatic safety shutdown system monitors the engine oil pressure and coolant temperature. Warning lights indicate abnormal conditions.
- Automatic start/stop control — automatically starts the generator set during a commercial power failure when used in conjunction with a transfer switch.
- Complete power panel. Fully covered; three-phase terminals and single phase receptacles allow fast and convenient hookup for most applications including temporary power boxes, tools and lighting equipment. The GFCI receptacles are NEMA 5-20, and the auxiliary outputs use CS6369 twist-lock receptacles.
- Simultaneous single and three phase power.
- Voltage selector switch offers the operator a wide range of voltages that are manually selectable. Fine tuning of the output voltage can be accomplished by adjusting the voltage regulator control knob to obtain the desired voltage.
- EPA emissions certified - Tier 3 emissions compliant.



DCA125SSIU

MQ POWER Series Generator

SPECIFICATIONS

Generator Specifications		
Design	Revolving field, self-ventilated Drip-proof, single bearing	
Armature Connection	Star with Neutral	Zig Zag
Phase	3	Single
Standby Output	110 KW (137 KVA)	79 KW
Prime Output	100 KW (125 KVA)	72 KW
3Ø Voltage (L-L/L-N) Voltage Selector Switch at 3Ø 240/139	208Y/120, 220Y/127, 240Y/139	N/A
3Ø Voltage (L-L/L-N) Voltage Selector Switch at 3Ø 480/277	416Y/240, 440Y/254, 480Y/277	N/A
1Ø Voltage (L-L/L-N) (Voltage Selector Switch at 1Ø 240/120)	N/A	240/120
Power Factor	0.8	1.0
Voltage Regulation (No load to full load)	±0.5%	
Generator RPM	1800	
Frequency	60 Hz	
No. of Poles	4	
Excitation	Brushless with AVR	
Frequency	60 Hz	
Frequency Regulation: No Load to Full Load	Isochronous under varying loads from no load to 100% rated load	
Frequency Regulation: Steady State	±0.25% of mean value for constant loads from no load to full load.	
Insulation	Class F	
Sound Level dB(A) Full load at 23 feet	63	

Engine Specifications	
Make / Model	Isuzu / 4HK1X
Emissions	EPA Tier 3 Certified
Starting System	Electric
Design	4-cycle, water cooled, direct injection turbocharged air to air intercooled
Displacement	317 in ³ (5,193 cc)
No. cylinders	4
Bore x Stroke in. (mm)	4.53 x 4.92 (115 x 125)
Gross Engine Power Output	170.3 bhp (127 kWm)
BMEP	212 psi (1,458 kPa)
Piston Speed	1480 ft./min. (7.50 m/s)
Compression Ratio	17.5:1
Engine Speed	1800 rpm
Overspeed Limit	2070 rpm
Oil Capacity	6.1 gallons (23 liters)
Battery	12V 128 Ah x 1

Fuel System		
Recommended Fuel	ASTM-D975-No.1 & No.2-D	
Maximum Fuel Flow (per hour)	19.0 gallons (71.0 liters)	
Maximum Inlet Restriction (Hg)	8.9 in. (225 mm)	
Fuel Tank Capacity	69 gallons (260 liters)	
Fuel Consumption	gph	lph
At full load	7.3	27.6
At 3/4 load	5.7	21.7
At 1/2 load	4.1	15.4
At 1/4 load	2.5	9.5

Cooling System	
Fan Load	4.0 hp (3.0 kW)
Coolant Capacity (with radiator)	3.70 gallons (14.0 liters)
Coolant Flow Rate (per minute)	48 gallons (180 liters)
Heat Rejection to Coolant (per minute)	3500 Btu (3.7 MJ)
Heat Rejection to Room (per minute)	1040 Btu (1.1 MJ)
Maximum Coolant Friction Head	6.5 psi (45.0 kPa)
Maximum Coolant Static Head	29.5 ft. (9.8 m)
Ambient Temperature Rating	104°F (40°C)

Air	
Combustion Air	297 cfm (8.4 m ³ /min)
Maximum Air Cleaner Restriction	25 in. H ₂ O (6.25 kPa)
Alternator Cooling Air	1352 cfm (38.3 m ³ /min)
Radiator Cooling Air	4590 cfm (130 m ³ /min)

Exhaust System	
Gas Flow (full load)	674 cfm (19.1 m ³ /min)
Gas Temperature	1094°F (590°C)
Maximum Back Pressure	30.0 in. H ₂ O (7.5 kPa)

Amperage	
Rated Voltage	Maximum Amps
1Ø 120 Volt	277.8 Amps (4 wire) 300A x 2 (Zigzag)
1Ø 240 Volt	138.9 Amps (4 wire) 300A (Zigzag)
3Ø 240 Volt	300 Amps
3Ø 480 Volt	150 Amps
Main Line Circuit Breaker Rating	300 Amps
Over Current Relay Trip Set Point 480V Mode Only	152 Amps

WARRANTY*

Isuzu

12 months from date of purchase with unlimited hours or 24 months from date of purchase with 2000 hours (whichever comes first).

Generator

24 months from date of purchase or 2000 hours (whichever occurs first).

Trailer

12 months excluding normal wear items.

*Refer to the express written, one-year limited warranty sheet for additional information

NOTICE

Generator is not intended for use in enclosed areas or where free flow of air is restricted.

Backfeed to a utility system can cause electrocution, shock and/or property damage. **DO NOT** connect to any building's electrical system except through an approved device.

Specifications are subject to change without notice.



DCA125SSIU

MQ POWER Series Generator

MQ POWER DECIBEL LEVELS

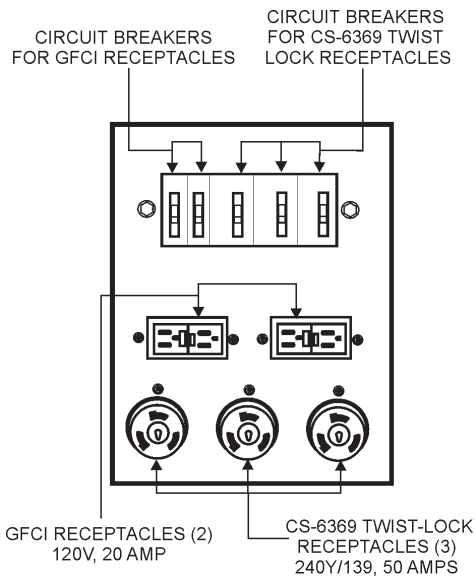
Our soundproof housing allows substantially lower operating noise levels than competitive designs. WhisperWatts are at home on construction sites, in residential neighborhoods, and at hospitals — just about anywhere.

- 90 — Subway / truck traffic
- 80 — Average city traffic
- 70 — Inside car at 60 mph
- 60 — Air conditioner at 20 feet
- 50 — Normal conversation

WhisperWatt at 23 feet



GENERATOR OUTPUT PANEL



OPTIONAL GENERATOR FEATURES

- **Battery Charger** — provides fully automatic and self-adjusting charging to the generator's battery system.
- **Jacket Water Heater** — for easy starting in cold weather climates.
- **Special Batteries** — long life batteries provide extra engine cranking power.
- **Spring Isolators** — provides extra vibration protection for standby applications.
- **Trailer Mounted Package** — meets National Highway Traffic Safety Administration (NHTSA) regulations. Trailer is equipped with electric or surge-hydraulic brakes with double or triple axle configuration.

OPTIONAL CONTROL FEATURES

- **Audible Alarm** — alerts operator of abnormal conditions.
- **Low Coolant Level Shutdown System** — provides protection from critically low coolant levels. Includes control panel warning light.
- **Emergency Stop Switch** — when manually activated shuts down generator in the event of an emergency.

OPTIONAL OUTPUT CONNECTIONS

- **Cam-Lock Connectors** — provides quick disconnect alternative to bolt-on connectors.
- **Pin and Sleeve Connectors** — provides industry standard connectors for all voltage requirements.
- **Output Cable** — available in any custom length and size configuration.

OPTIONAL FUEL CELL FEATURES

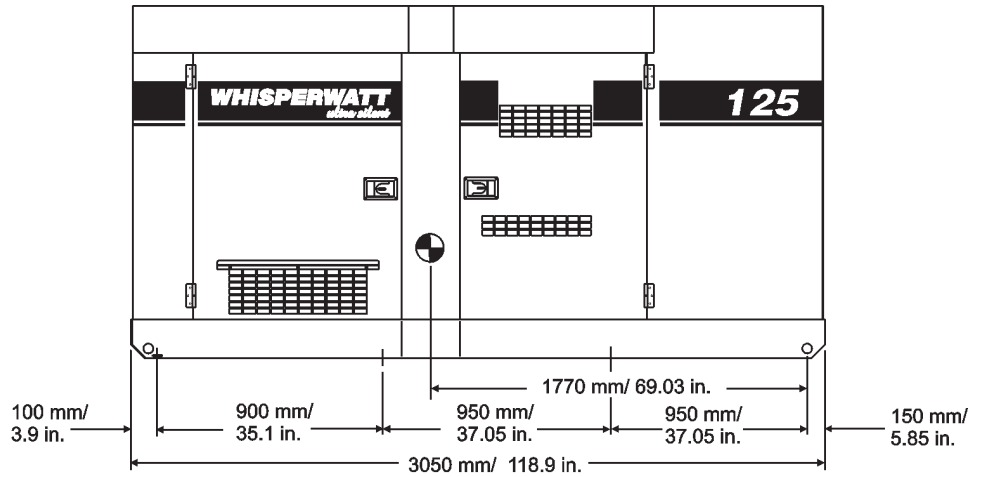
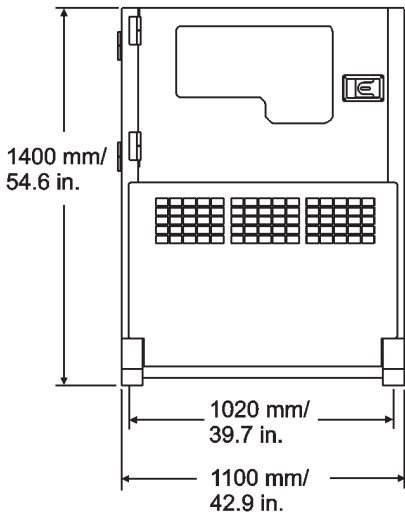
- **Trailer Fuel Tank** — a second fuel cell located in the trailer allows for extended run time.
- **Sub-Based Fuel Cells (Double Wall)** — Additional fuel cell for extended runtime operation. Contains a leak sensor, low fuel level switch, and a secondary containment tank. UL142 listed.
 - 12 hours of minimum run time.
 - 24 hours of minimum run time.



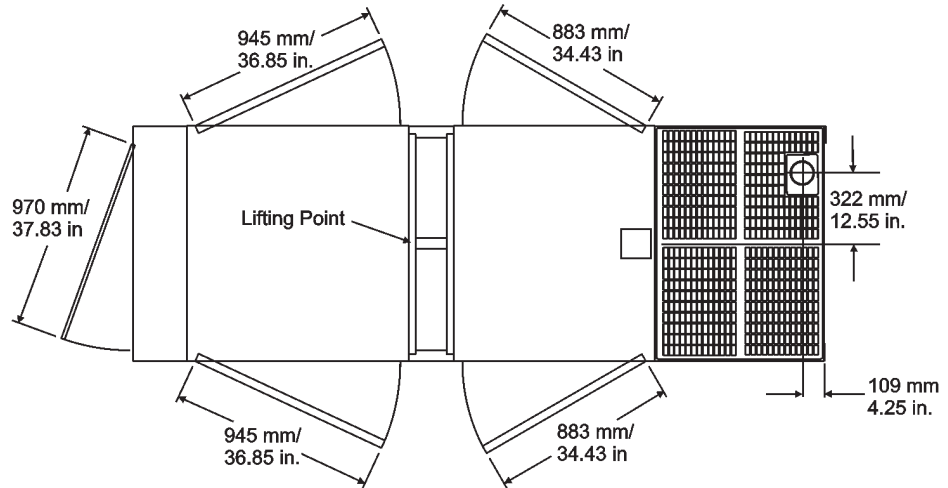
DCA125SSIU

MQ POWER Series Generator

DIMENSIONS



Weight	
Dry Weight	4,609 lbs. (2,090 kg)
Wet Weight	5,182 lbs. (2,350 kg)
Max. Lifting Point Capacity	14,050 lbs. (6,370 kg)



Generator can be placed on a MQ Power Model TRLR125XF Tandem Axle Trailer



Manufactured by Denyo Co.

© COPYRIGHT 2015 MULTIQUIP INC.
DCA125SSIU Rev. #7 (01/08/15)



1741 East Colon Street, (zip 90744)
PO Box 1212
Wilmington, CA 90748-1212
Phone: 310 835-3161 • Fax: 310 518-3019
sales@assocpower.com • www.assocpower.com