



DCA40SSKU4F

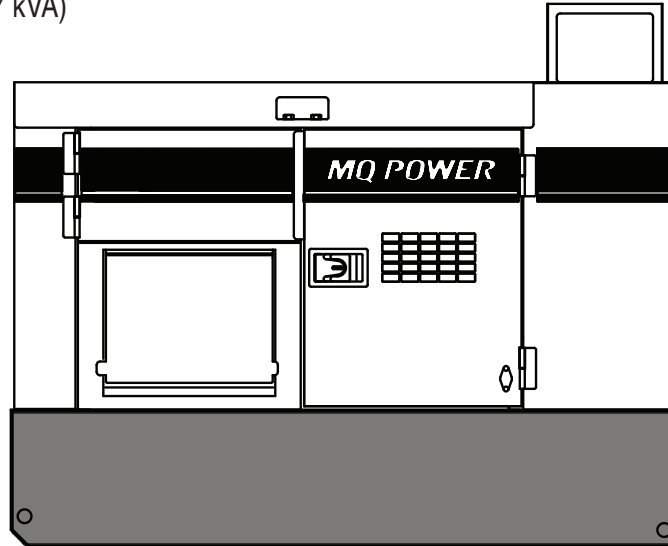
MQ POWER Series Generator

WhisperWatt™

Prime Rating — 28.8 kW (36 kVA)

Standby Rating — 29.7 kW (37 kVA)

Three-Phase, 60 Hertz, 0.8 PF



STANDARD FEATURES

- Heavy duty, 4-cycle, direct injection, turbocharged, diesel engine provides maximum reliability.
- Brushless alternator reduces service and maintenance requirements and meets temperature rise standards for Class H insulation systems.
- Open delta excitation design provides virtually unlimited excitation for maximum motor starting capability.
- Automatic voltage regulator (AVR) provides precise regulation.
- Electronic Governor Control — maintains frequency to within $\pm 0.25\%$ from no load to full load.
- Full load acceptance of standby nameplate rating in one step (NFPA 110, para 5-13.2.6).
- Sound attenuated, weather resistant, steel housing provides operation at 61 dB(A) at 23 feet. Fully lockable enclosure allows safe unattended operation.
- Internal fuel tank with direct reading of fuel gauge.
- E-coat and powder-coat paint system provides durability and weather protection.
- Fuel/water separator removes condensation from fuel for extended engine life. Panel mounted alarm light included.
- Complete engine analog instrumentation includes fuel level gauge, hour meter, preheat indicator, and emergency shutdown monitors.
- Automatic Start/Stop Control — automatically starts the generator set during a commercial power failure when used in conjunction with a transfer switch.
- Complete generator analog instrumentation includes voltage regulator control, ammeter phase selector switch, AC voltmeter, AC ammeter, frequency meter, and circuit breaker.
- Power Balance™ Control — load management system comprised of an integral resistive load bank with controls, designed to constantly monitor generator load conditions to ensure that a preset load level is always maintained.
- Automatic safety shutdown system monitors the water temperature, engine oil pressure, overspeed and overcrank. Warning lights indicate abnormal conditions.
- Complete power panel. Fully covered; three-phase terminals and single phase receptacles allow fast and convenient hookup for most applications including temporary power boxes, tools and lighting equipment. The GFCI receptacles are NEMA 5-20, and the auxiliary outputs use CS6369 twist-lock receptacles.
- Simultaneous single and three-phase power.
- Voltage selector switch offers the operator a wide range of voltages that are manually selectable. Fine tuning of the output voltage can be accomplished by adjusting the voltage regulator control knob to obtain the desired voltage.
- EPA emissions certified — Tier 4 final emissions compliant.
- Engine fitted with DOC and DPF.
- Spill containment — banded design protects environment by capturing up to 132% of engine fluids.



DCA40SSKU4F

MQ POWER Series Generator

SPECIFICATIONS

Generator Specifications

Design	Revolving field, self-ventilated Drip-proof, single bearing
No. of Poles	4-pole
Excitation	Brushless with AVR
Standby Output	29.7 KW (37 KVA)
Prime Output	28.8 KW (36 KVA)
Generator RPM	1800
Voltage - 3Ø	208, 220, 240, 416, 440, 480 V
Voltage - 1Ø	120, 127, 139, 240, 254, 277 V
Armature Connection	Star with Neutral/Zig Zag
Power Factor	0.8
Voltage Regulation (No load to full load)	±0.5%
Frequency	60 Hz
Frequency Regulation: No Load to Full Load	Isochronous under varying loads from no load to 100% rated load
Frequency Regulation: Steady State	±0.25% of mean value for constant loads from no load to full load.
Insulation	Class H
Sound Level dB(A) Full load at 23 feet	61

Engine Specifications

Make / Model	Kubota / V2403-CR-T
Emissions	EPA Tier 4 Final Certified
Starting System	Electric
Design	4-cycle, water cooled, direct injection, turbocharged, EGR, ECM, DOC, and DPF
Displacement	148.5 in ³ (2434 cc)
No. cylinders	4
Bore x Stroke	3.42 x 4.01 in. (87 x 102 mm)
Gross Engine Power Output	48.3 hp (36.0 kW)
BMEP	145 psi (1000 kPa)
Piston Speed	1209 ft./min. (6.14 m/s)
Compression Ratio	18.1:1
Engine Speed	1800 rpm
Overspeed Limit	2070 rpm
Oil Capacity	3.4 gallons (12.7 liters)
Battery	12V 53Ah x 1

Fuel System

Recommended Fuel	ASTM-D975-No.1 & No.2-D*	
Maximum Fuel Flow (per hour)	2.6 gallons (9.8 liters)	
Maximum Inlet Restriction (Hg)	0.69 in. (17.5 mm)	
Fuel Tank Capacity	67.4 gallons (255 liters)	
Fuel Consumption	gph	lph
At full load	2.2	8.5
At 3/4 load	1.7	6.4
At 1/2 load	1.2	4.4
At 1/4 load	0.8	2.9

* - Use ultra-low sulfur diesel fuel.

Exhaust System

Gas Flow (full load)	234 cfm (6.6 m ³ /min)
Gas Temperature	939°F (504°C)
Maximum Back Pressure	21.3 in. H ₂ O (5.3 kPa)

Cooling System

Fan Load	0.32 hp (0.24 kW)
Coolant Capacity (with radiator)	2.77 gallons (10.5 liters)
Coolant Flow Rate (per minute)	14 gallons (53 liters)
Heat Rejection to Coolant (per minute)	2624 Btu (2.49 MJ)
Ambient Temperature Rating	104°F (40°C)

Air

Combustion Air	77 cfm (2.18 m ³ /min)
Maximum Air Cleaner Restriction	9.84 in. H ₂ O (2.45 kPa)
Alternator Cooling Air	526 cfm (14.9 m ³ /min)
Radiator Cooling Air	2594 cfm (73.4 m ³ /min)
Minimum Air Opening to Room	4.52 ft ² (0.42 m ²)
Minimum Discharge Opening	2.19 ft ² (0.2 m ²)

Amperage

Rated Voltage	Maximum Amps
1Ø 120 Volt	80 Amps (4 wire) 108 A x 2 (Zigzag)
1Ø 240 Volt	40 Amps (4 wire) 108 A (Zigzag)
3Ø 240 Volt	86 Amps
3Ø 480 Volt	43 Amps
Main Line Circuit Breaker Rating	110 Amps
Over Current Relay Trip Set Point 480V Mode Only	43 Amps

WARRANTY*

Kubota Engine

12 months from date of purchase with unlimited hours or 24 months from date of purchase with 2000 hours (whichever comes first).

Generator

24 months from date of purchase or 2000 hours (whichever occurs first).

Trailer

12 months excluding normal wear items.

* Refer to the express written, one-year limited warranty sheet for additional information.

NOTICE

Generator is not intended for use in enclosed areas or where free flow of air is restricted.

Backfeed to a utility system can cause electrocution, shock and/or property damage. **DO NOT** connect to any building's electrical system except through an approved device.

Specifications are subject to change without notice.



DCA40SSKU4F

MQ POWER Series Generator

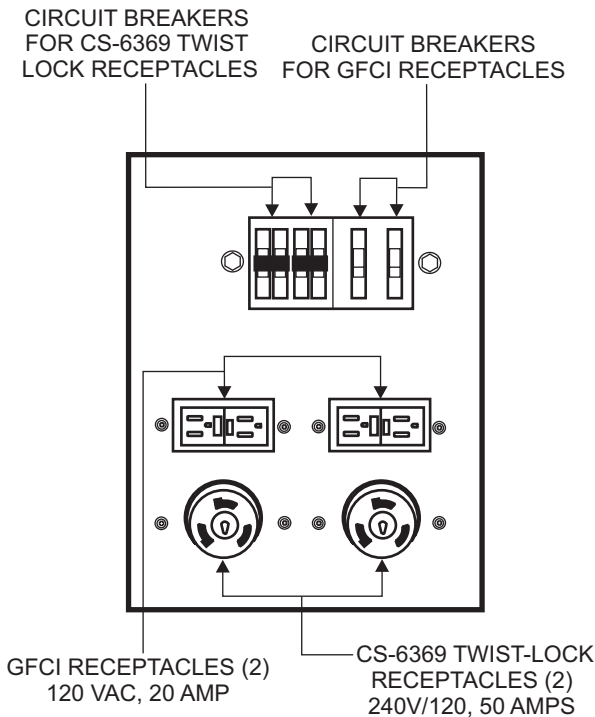
MQ POWER DECIBEL LEVELS

Our soundproof housing allows substantially lower operating noise levels than competitive designs. WhisperWatts™ are at home on construction sites, in residential neighborhoods, and at hospitals — just about anywhere.

- 90 — Subway / truck traffic
- 80 — Average city traffic
- 70 — Inside car at 60 mph
- 60 — WhisperWatt™ at 23 feet
Air conditioner at 20 feet
- 50 — Normal conversation



GENERATOR OUTPUT PANEL



OPTIONAL GENERATOR FEATURES

- **Battery Charger** — provides fully automatic and self-adjusting charging to the generator's battery system.
- **Jacket Water Heater** — for easy starting in cold weather climates.
- **Special Batteries** — long life batteries provide extra engine cranking power.
- **Spring Isolators** — provides seismic vibration dampening for stationary standby applications.
- **Trailer Mounted Package** — meets National Highway Traffic Safety Administration (NHTSA) regulations. Trailer is equipped with electronic or surge brakes with double axle configuration.

OPTIONAL CONTROL FEATURES

- **Emergency Stop Switch** — when manually activated shuts down generator in the event of an emergency.
- **Audible alarm** — alerts operator of abnormal conditions.

OPTIONAL OUTPUT CONNECTIONS

- **Cam-Lok Connectors** — provides quick disconnect alternative to bolt-on connectors.
- **Pin and Sleeve Connectors** — provides industry standard connectors for all voltage requirements.
- **Output Cable** — available in any custom length and size configuration.

OPTIONAL FUEL CELL FEATURES

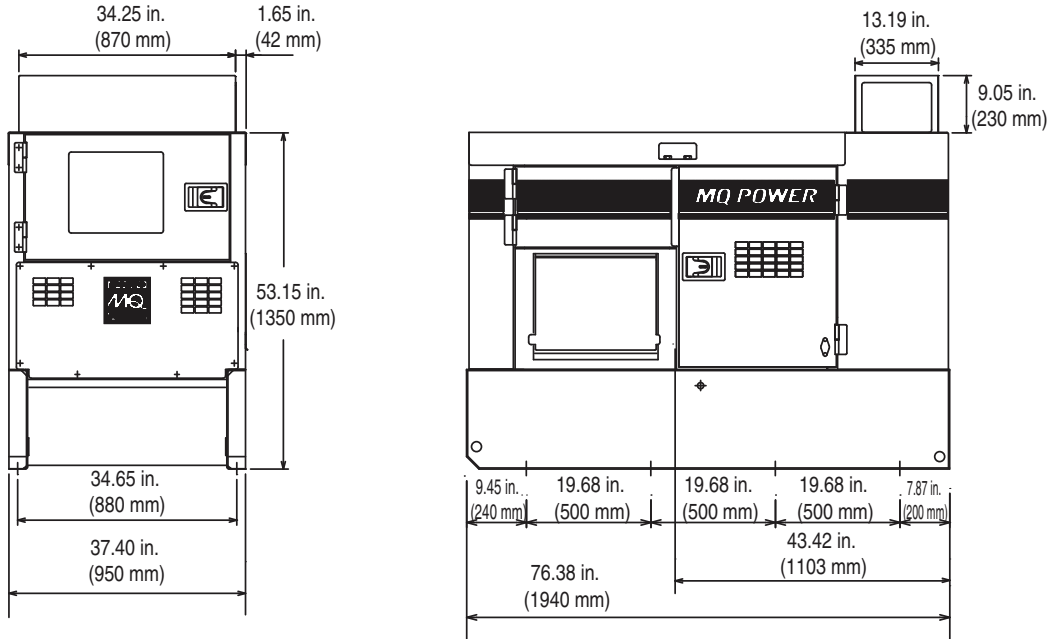
- **Sub-base Fuel Cells (Double Wall)** — Additional fuel cell for extended runtime operation. Contains a leak sensor, low fuel level switch, and a secondary containment tank. UL142 listed.
 - 12 hours of minimum run time.
 - 24 hours of minimum run time.



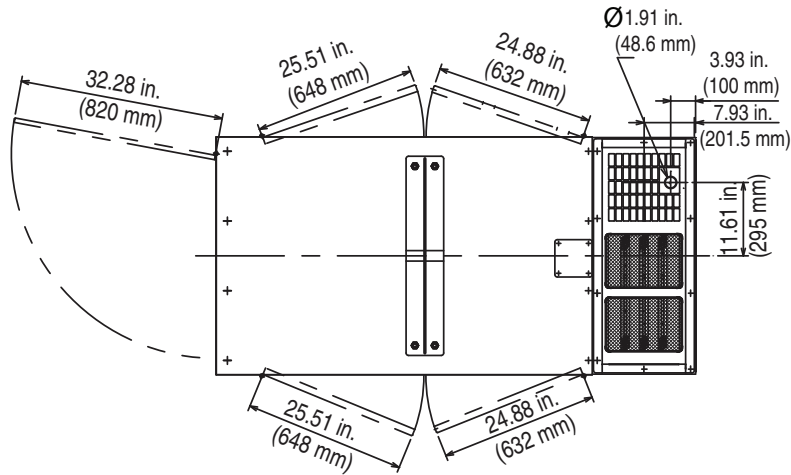
DCA40SSKU4F

MQ POWER Series Generator

DIMENSIONS



Weight	
Dry Weight	2,250 lbs. (1020 kg)
Wet Weight	2,823 lbs. (1,280 kg)
Max. Lifting Point Capacity	5,150 lbs. (2,315 kg)



Generator can be placed on MQ Power Model TRLR45 Trailer.



Manufactured by Denyo Co.

© COPYRIGHT 2014 MULTIQUIP INC.
DCA40SSKU4F Rev. #1 (08/26/14)



1741 East Colon Street, (zip 90744)
PO Box 1212
Wilmington, CA 90748-1212
Phone: 310 835-3161 • Fax: 310 518-3019
sales@assocpower.com • www.assocpower.com