

Night-Lite Pro™ Light Tower

4-1250 Watt Metal Halide Lamps

8 kW Diesel Generator

Allmand Model NL 8



Dimensions

Height mast lowered	6 ft. 1 in. (1.9 m)
Height mast raised	30 ft. (9.14 m)
Length with fixtures	13 ft. 6 in. (4.04 m)
Width	4 ft. 1.5 in. (1.26 m)
Outrigger width	7 ft. 9.5 in. (2.37 m)
Wheels and tires	13 in. (33 cm)

Trailer

Frame	Formed, welded steel
Enclosure - lockable	Heavy duty 10-gauge side panels, 12 gauge hood
Fenders	Molded, polyethylene
Hitch	Two inch ball & 3 inch pintle
Lights	Tail Lights / Stop / Turn
Lifting	Forklift pockets (standard)

Engine & Generator

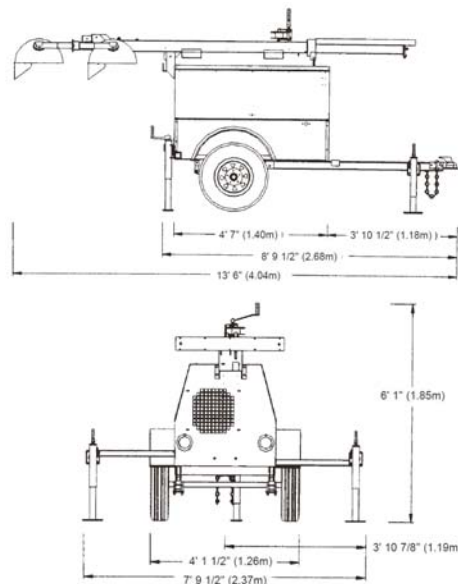
Engine	8 kW 7.5 kW	Kubota D1105 BG (13.6 HP) Kubota D1005 BG (13.1 HP)
Speed	1800 rpm	
Displacement	1.123 L (68.53 cu. in.) 1.001 L (61.08 cu. in.)	
Fuel	Diesel	
Fuel consumption	0.46 gal/hr (1.70 L/hr) approx.	
Fuel capacity	30 gallon	
Oil capacity	1.35 U.S. gal. (5.1 L)	
D.C. electrical system	12-volt	
Automatic shutoff	Low Oil Pressure, High Temp.	
Generator	8 kW, 60 Hz, 1 ph. (7.5 kW - D1005BG)	
Voltage	240 / 120 volts	

Lighting

Lamps	Metal Halide SHO-HD
Number	4
Size	1250 watts
Fixture	Allmand's exclusive SHO-HD parallel lamp fixture

Standard Features

- **SHO-HD (super high output-high definition)** parallel lamp fixtures provide over 50% more lumens per fixture than competitive light towers.
- **SHO-HD lamp fixture** with standard 1250 watt system produces 150,000 lumens per lamp
- **Galvanized tower** provides corrosion protection on both the inside and outside of tower
- **120-volt convenience outlets**
- **30-gallon molded polyethylene fuel tank** reduces the chance of contamination from rust and corrosion associated with metal. Provides approximately 60 hours of continuous operation.
- **Engine options** – Kohler/Lombardini or Caterpillar



Shown with optional Saf-T-Visor™ - directs up to 13% of skyward light to work site.
Approximate Dry Weight of Light Tower is 1600 lbs.

LOS ANGELES 310 835-3161
Fax 310 518-3019

BAKERSFIELD 661 335-0300
Fax 661 335-0333

FONTANA 909 823-6505
Fax 909 823-6955