

Night-Lite Pro™ Light Tower

4-1250 Watt Metal Halide Lamps

7.5 kW Diesel Generator

Allmand Model NL7.5



Dimensions

Height mast lowered	6 ft. 1 in. (1.9 m)
Height mast raised	30 ft. (9.14 m)
Length with fixtures	13 ft. 6 in. (4.04 m)
Width	4 ft. 1.5 in. (1.26 m)
Outrigger width	7 ft. 9.5 in. (2.37 m)
Wheels and tires	13 in. (33 cm)

Trailer

Frame	Formed, welded steel
Enclosure - lockable	Heavy duty 10-gauge side panels, 12 gauge hood
Fenders	Molded, polyethylene
Hitch	Two inch ball & 3 inch pintle
Lights	Tail Lights / Stop / Turn
Lifting	Forklift pockets (standard)

Engine & Generator

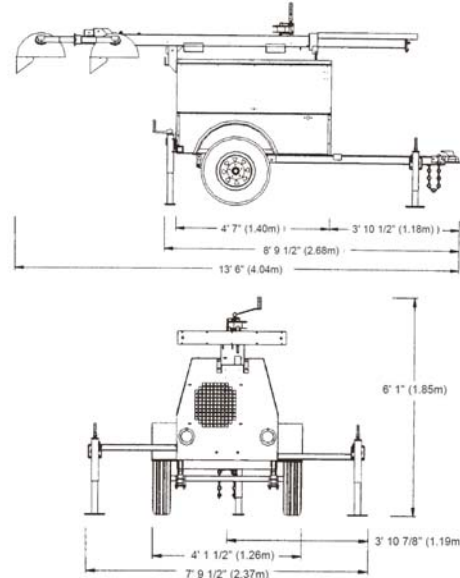
Engine (standard)	Lombardini LDW (13.4 hp)
Speed	1800 rpm
Displacement	1.028 L (62.7 cu. in.)
Power output	10.5 hp
Fuel	Diesel
Fuel consumption	0.46 gal/hr (1.70 L/hr) at 73% load
Fuel capacity	30 gallon
Oil capacity	2.55 U.S. qt. (2.41 L)
D.C. electrical system	12-volt with 30 amp. alternator
Automatic shutoff	Low Oil Pressure, High Temp.
Generator	7.5 kW, 60 Hz, 1 phase
Voltage	240 / 120 volts

Lighting

Lamps	Metal Halide SHO-HD
Number	4
Size	1250 watts
Fixture	Allmand's exclusive SHO-HD parallel lamp fixture

Standard Features

- **SHO-HD (super high output-high definition)** parallel lamp fixtures provide over 50% more lumens per fixture than competitive light towers.
- **SHO-HD lamp fixture** with standard 1250 watt system produces 150,000 lumens per lamp
- **Galvanized tower** provides corrosion protection on both the inside and outside of tower
- **120-volt convenience outlets**
- **30-gallon molded polyethylene fuel tank** reduces the chance of contamination from rust and corrosion associated with metal. Provides approximately 60 hours of continuous operation.
- **Engine options** – Kubota or Cat



Shown with optional Saf-T-Visor™ - directs up to 13% of skyward light to work site.
Approximate Dry Weight of Light Tower is 1600 lbs.